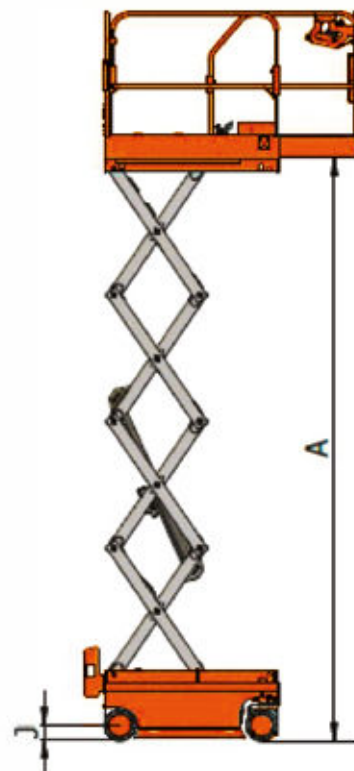


# ACSL0607DC

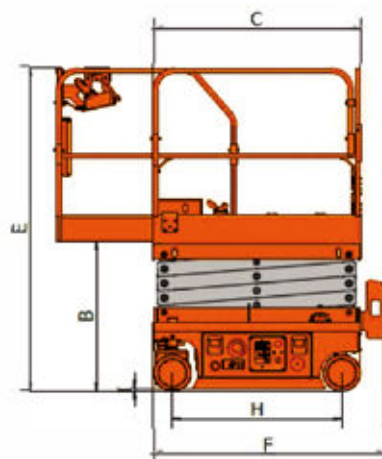
## Electric Driven Scissor Scissor-type Aerial Work Platform

# ATLAS KOMPAKT

Dimension		
Working height*		6.5 m
A	Platform height maximum	4.5 m
B	Platform height (stowed)	0.95 m
C	Platform length	1.29 m
	Slide-out platform extension deck	0.6 m
D	Platform width	0.7 m
E	Stowed height (rails up)	2.06 m
	Stowed height (rails down)	1.7 m
F	Overall length	1.44 m
G	Overall width	0.76 m
H	Wheelbase	1.05 m
I	Ground clearance (stowed)	0.06 m
J	Ground clearance (raised)	0.017 m



Performance	
Lift capacity	240 kg
Lift capacity (extension deck)	100 kg
Max. platform occupancy	2
Drive speed (stowed)	3.6 km/h
Drive speed (elevated)	0.8 km/h
Turning radius (inside)	0.4 m
Turning radius (outside)	1.6 m
Raise / lower speed	20 s / 22 s
Gradeability**	30%
Max. allowable working angle (lateral / longitudinal)	1.5° / 3°
Controls	Proportional
Wheel driver	DC motor front drive
Multiple disc brakes	Dual front wheel
Tires	230 mm x 80 mm
Battery	2x12V/85 Ah
Charger	24V/15 A
Weight	900 kg



\* Working height is equal to Platform height plus 2 m.

\*\* Climbing ability is suitable for driving on slopes; Refer to Operator Manual for slope level.

# ACSL0607DC

## Electric Driven Scissor Scissor-type Aerial Work Platform



### Standard features

◆ Proportional control	◆ Extended platform	◆ Folding guardrails platform	◆ Self-lock gate on platform
◆ Solid tire	◆ Hour meter	◆ Standard transport forklift hole	◆ Safety maintenance support rod
◆ Horn	◆ Flashing beacon	◆ Action beep	◆ DC motor drive
◆ Pothole protection device	◆ Emergency descent system	◆ Emergency stop button	◆ Automatic brakes system
◆ Tilt sensor with alarm	◆ Charging protection system	◆ Fault diagnosis system	◆ Maintenance-free battery

### Options features

◆ Air line to platform	◆ AC power to platform	◆ GPS tracking system	◆ Platform work lights
◆ Overload protection system	◆ Lithium battery and management system	◆ Intelligent interconnection system	

**ATLAS KOMPAKT GmbH**  
Stedinger Strasse 324, 27751 Delmenhorst, Germany  
Tel.: +49 (0) 4221 491330; Fax: +49 (0) 4221 491331  
E-mail: [info@atlas-kompakt.com](mailto:info@atlas-kompakt.com)  
[www.atlas-kompakt.com](http://www.atlas-kompakt.com)

**ATLAS  
KOMPAKT**